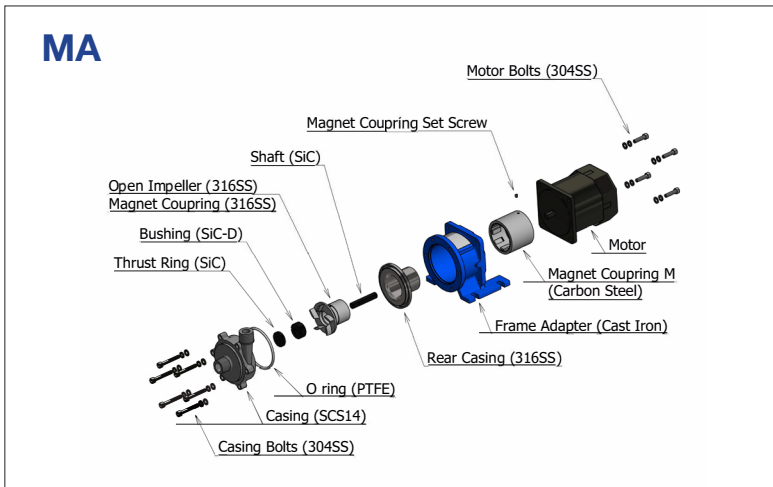
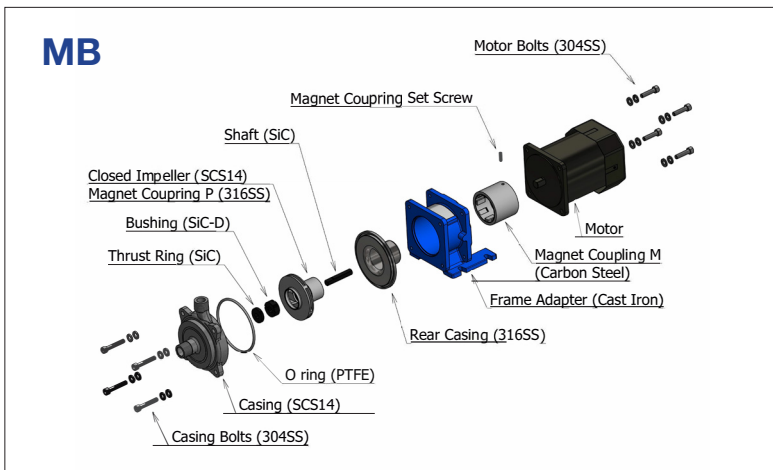


## EXPLODED VIEW

### MA



### MB

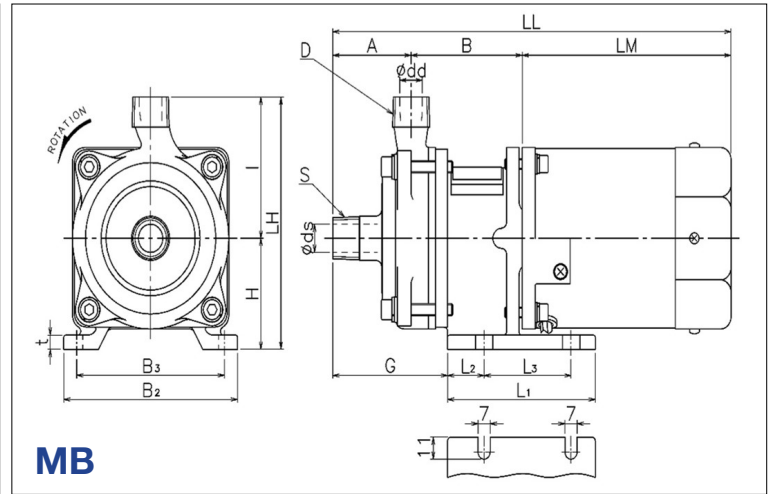
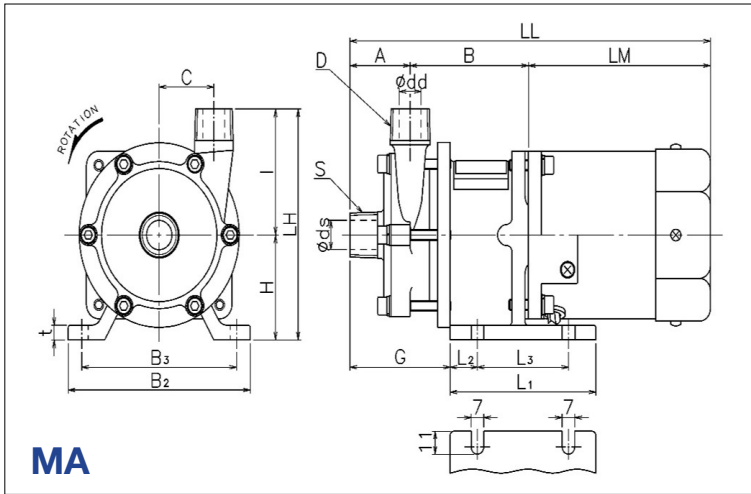


## SPECIFICATIONS

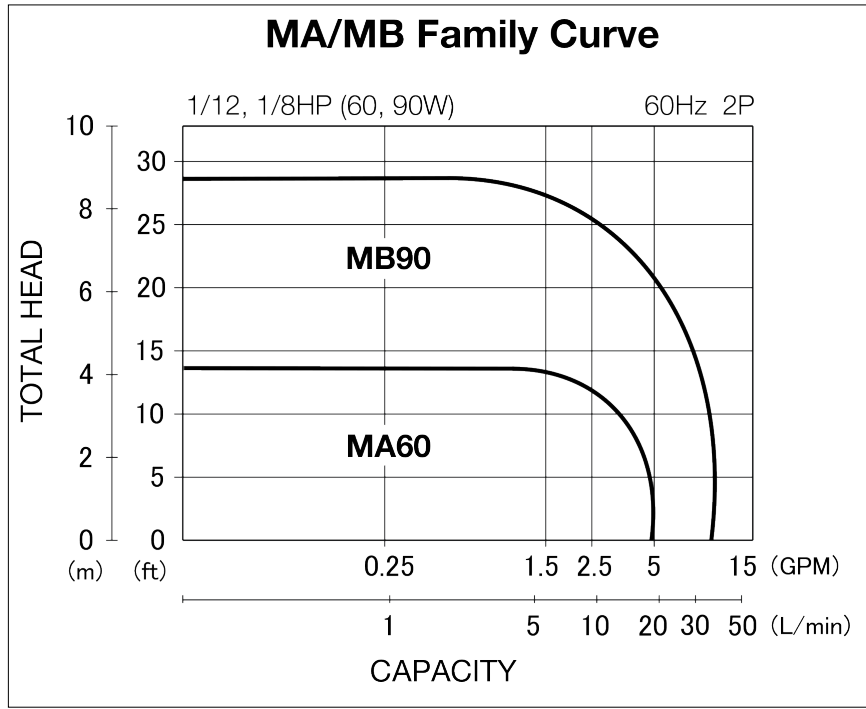
PUMP MODEL MA/MB	
Frequency Hz	60
Maximum Total Head m (ft)	8 (26)
Max. Capacity l/min (USGPM)	22 (5.81)
Fluid Max Temperature °C (°F)	130 (266)
Fluid Min Temperature °C (°F)	-20 (-4)
Fluid Max Specific Gravity	2
Fluid Max Viscosity mPa·s	50
Design Pressure MPaG (psiG)	0.6 (87)
Bore Size (mm)	1/2" x 1/2"
Connection	NPT Thread
Impeller Type	Closed/Open Impeller
Motor Output kW (HP)	0.060 - 0.090 (0.08-0.12)
Motor Frame	Custom Frame (current)
Rotation Speed	3600
Pump Material	SCS14/ (316SS) Standard

Pump Size	Suction Bore mm (inch)	Discharge Bore mm (inch)	Stainless Steel (standard)	Pump Design Pressure	Impeller Type
MA60	14 (0.55)	12 (0.47)	SUS316 SCS14	0.6 MPaG (87 psiG)	Open Impeller
MB90	14 (0.55)	13 (0.51)			Closed Impeller

# DIMENSIONS



PUMP SIZE	MOTOR		BORE				PUMP & MOTOR							BASE PLATE & MOTOR						WEIGHT APPROX(kg)				
	FRAME SIZE	OUTPUT (W)	SUCT		DISCH		A	B	C	H	I	LH	LM	LL	G	L <sub>1</sub>	L <sub>2</sub>	L <sub>3</sub>	B <sub>2</sub>	B <sub>3</sub>	t	PUMP	MOTOR	TOTAL
			ds	S	dd	D																		
MA60	-	60	14	NPT1/2	12	NPT1/2	33	80	30	50	60	110	100	213	55	95	15	65	100	85	7	2.5	1.8	4.3
MB90	-	90	14	NPT1/2	13	NPT1/2	45	84	-	55	70	125	120	249	66	105	21	70	100	85	7	2.9	2.7	5.6



### APPLICATIONS

- OEM Thermal Management Systems
- Medical Laser Chillers
- Medical Xray Chillers
- Aerospace Chillers
- Computer Cooling



### ABOUT US

For over 60 years, Iwaki has been a global leader in the design, development and manufacturing of non-metallic sealless chemical pumps. With flow rates up to 1,100 GPM, Iwaki has thousands of size and material combinations to meet your application needs. Iwaki features both flooded suction and self-priming technology that can be mounted to a variety of motor options including AC and DC driven units.

